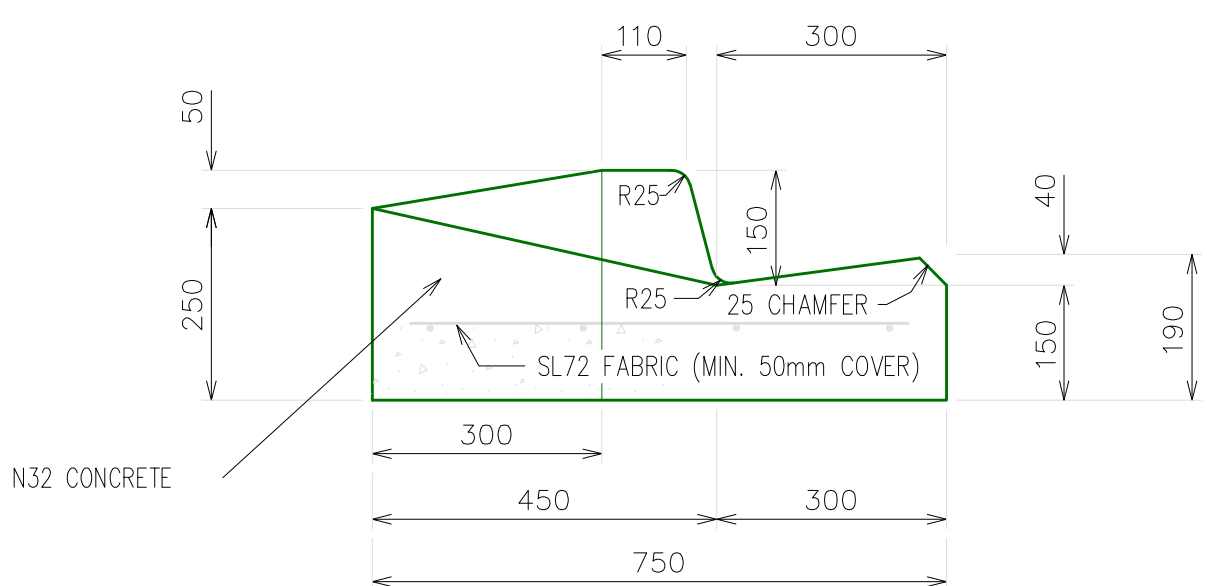


VEHICLE CROSSOVER



KERB CROSSOVER (A-A)

NOTE: -

1. ALL KERBING TO BE IN ACCORDANCE WITH AS 2876-2000, CONCRETE KERBS AND CHANNELS (GUTTERS)
2. ALL KERBING CONCRETE TO CONTAIN BLACK OXIDE UPTO THE RATE OF 10 Kgs./Cu.m., TO MATCH EXISTING.
3. ALL CONSTRUCTION TO BE IN ACCORDANCE WITH COUNCIL'S "TECHNICAL SPECIFICATION FOR CONCRETE WORK"

STANDARD DETAIL
 COMPLYING LIGHT DUTY
 COMMERCIAL 150mm KERB CROSSOVER
 Gross Vehicle Mass-Max. 15 Tonne



CITY OF
MITCHAM

DRAWING No.
SD-600

SHEET
23-A **A4**

DRAWN / DESIGNED <i>J.R.</i>	COPY / ISSUE DATE	PREVIOUS ISSUE DATE <i>July 2005</i>	ISSUED DATE <i>January 2007</i>
---------------------------------	-------------------	---	------------------------------------