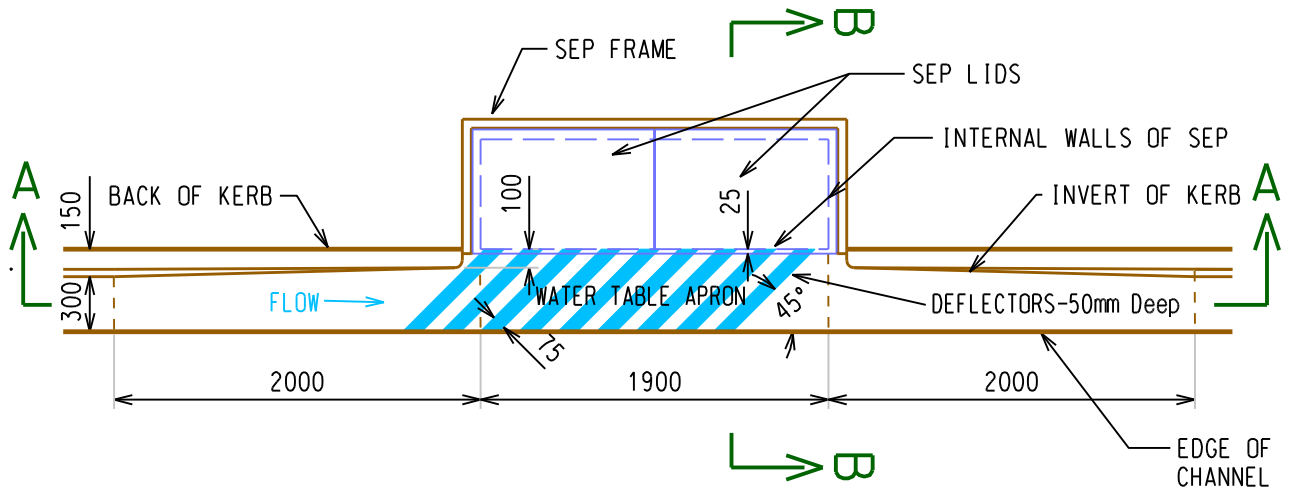
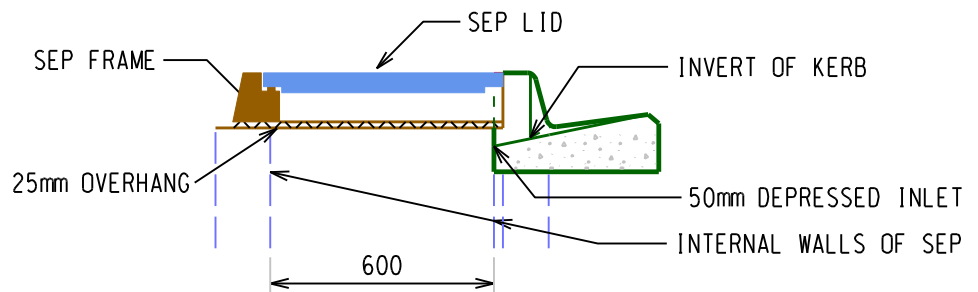


**SECTION A-A**



**PLAN VIEW**



**SECTION B-B**

NOTE:-

1. ALL KERBING TO BE IN ACCORDANCE WITH AS 2876-2000, CONCRETE KERBS AND CHANNELS (GUTTERS)
2. ALL KERBING CONCRETE TO CONTAIN BLACK OXIDE UPTO THE RATE OF 10Kgs./Cu.m., TO MATCH EXISTING.
3. ALL CONSTRUCTION TO BE IN ACCORDANCE WITH COUNCIL'S "TECHNICAL SPECIFICATION FOR CONCRETE WORK"
4. DEFLECTORS TO BE PROVIDED FOR ALL ON-GRADE PITS.

**STANDARD DETAIL  
DOUBLE SIDE ENTRY PIT INLET  
150mm BARRIER KERB  
300mm WATER TABLE**



**CITY OF  
MITCHAM**

DRAWING NO.

**SD-600**

SHEET

**5**

**A4**

DRAWN / DESIGNED  
*J.R.*

COPY ISSUE DATE

PREVIOUS ISSUE DATE  
*June 2003*

ISSUED DATE  
*January 2007*