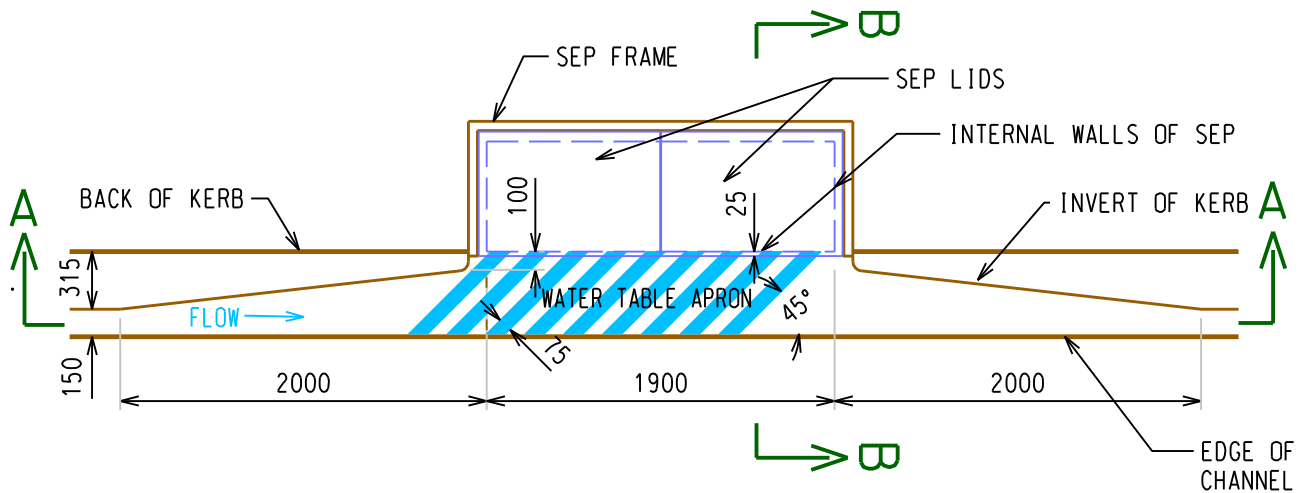
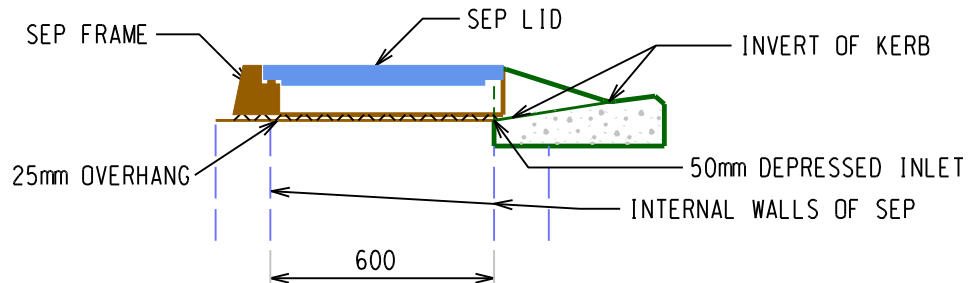


SECTION A-A



PLAN VIEW



SECTION B-B

NOTE:-

1. ALL KERBING TO BE IN ACCORDANCE WITH AS 2876-2000, CONCRETE KERBS AND CHANNELS (GUTTERS)
2. ALL KERBING CONCRETE TO CONTAIN BLACK OXIDE UP TO THE RATE OF 10Kgs./Cu.m., TO MATCH EXISTING.
3. ALL CONSTRUCTION TO BE IN ACCORDANCE WITH COUNCIL'S "TECHNICAL SPECIFICATION FOR CONCRETE WORK"
4. DEFLECTORS TO BE PROVIDED FOR ALL ON-GRADE PITS.

**STANDARD DETAIL
DOUBLE SIDE ENTRY PIT INLET
100mm LAYBACK KERB
150mm WATER TABLE**



**CITY OF
MITCHAM**

DRAWING NO.

SD-600

SHEET

7

A4

DRAWN / DESIGNED
J.R.

COPY ISSUE DATE

PREVIOUS ISSUE DATE
June 2003

ISSUED DATE

January 2007