

# FORESTVILLE HOCKEY CLUB & UNLEY HIGH SCHOOL ALL-WEATHER PLAYING SURFACE

## Presentation to the City of Mitcham

1 August 2023



We acknowledge this land that we meet on today is the traditional lands for the Kurna people and that we respect their spiritual relationship with their country.

We also acknowledge the Kurna people as the custodians of the Adelaide region and that their cultural and heritage beliefs are still as important to the living Kurna people today.



2022  
UNCLE  
SENECA

Mazon

OREGON HOCKEY

Grays

Mazon

FORESTVILLE  
HOCKEY CLUB

FORESTVILLE  
HOCKEY CLUB

FORESTVILLE  
HOCKEY CLUB

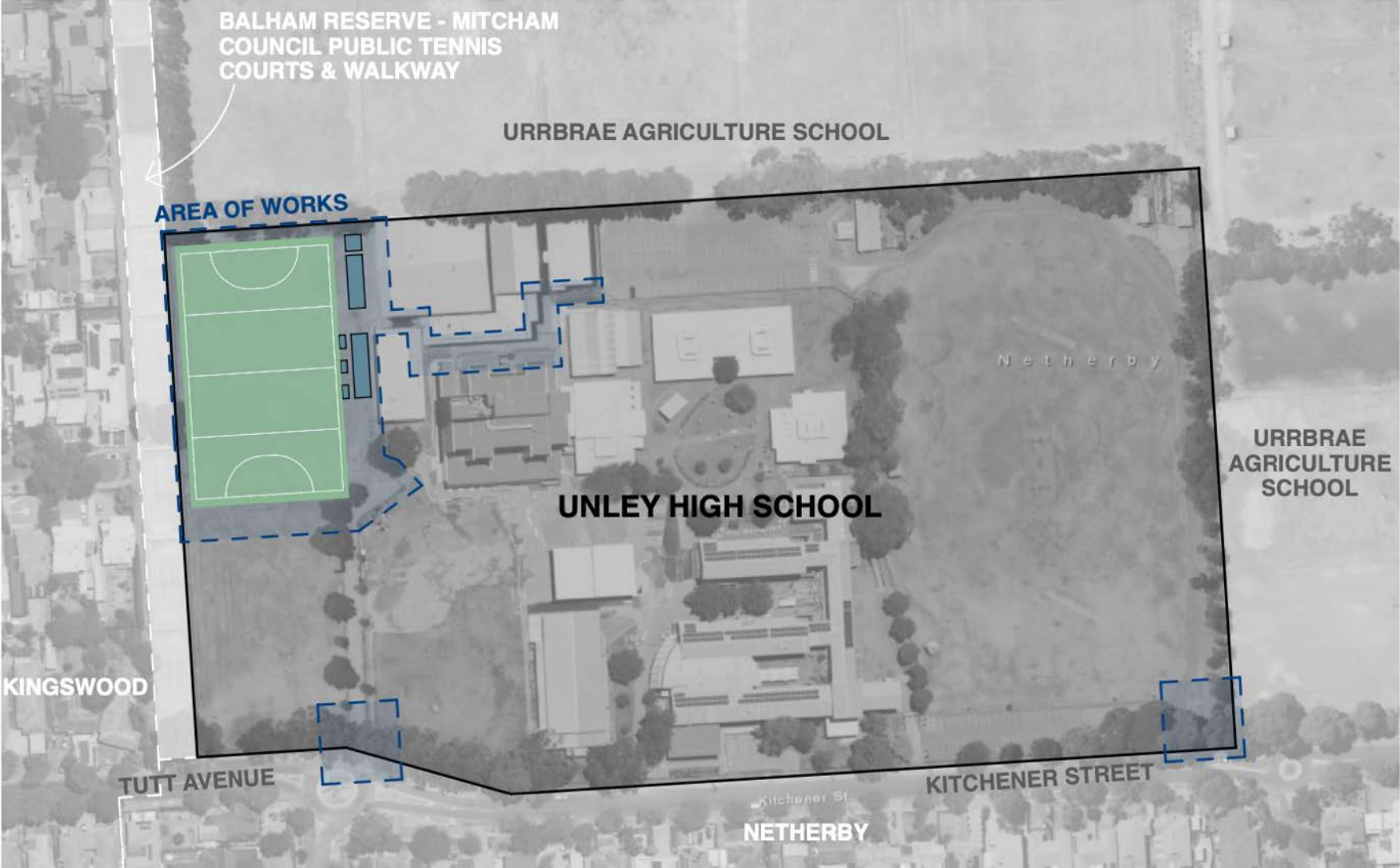
FORESTVILLE  
HOCKEY CLUB

FORESTVILLE  
HOCKEY CLUB

FORESTVILLE  
HOCKEY CLUB

# Project Design & Information

# Project Design



Site Plan

# Project Design



View from  
Kitchener  
Street, looking  
North

# Project Design

Change rooms,  
Shelter on eastern  
side of the pitch



# Project Design



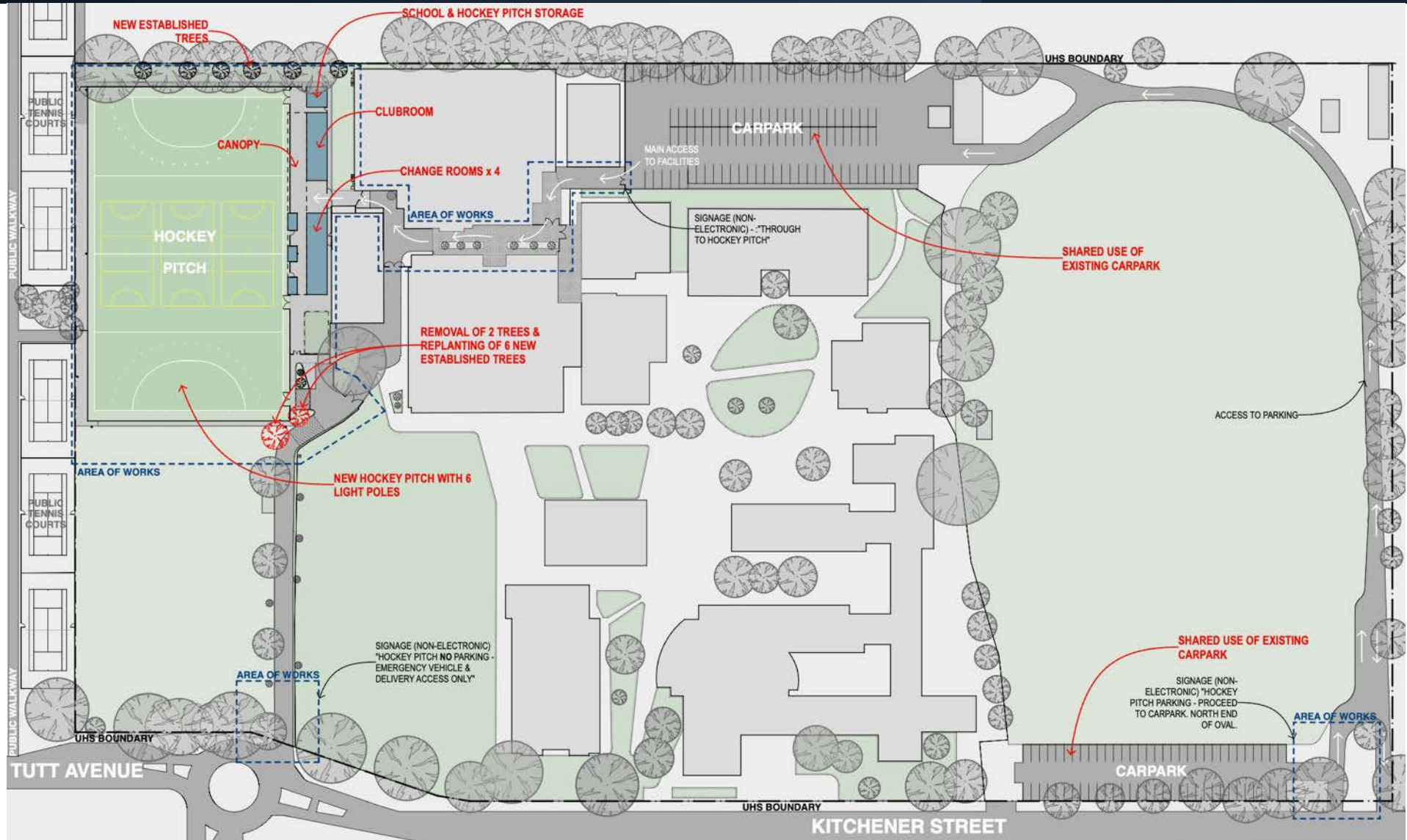
< Open play space

Clubroom, Change rooms,  
Shelter on eastern side of the  
pitch (single storey) >





# Project Design



Site Plan



# Project Design



< Lighting



# Project Design

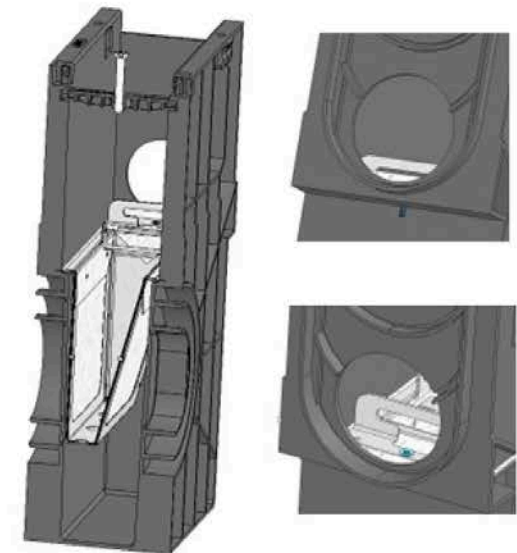
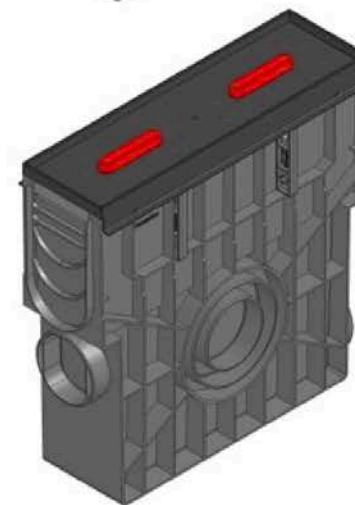
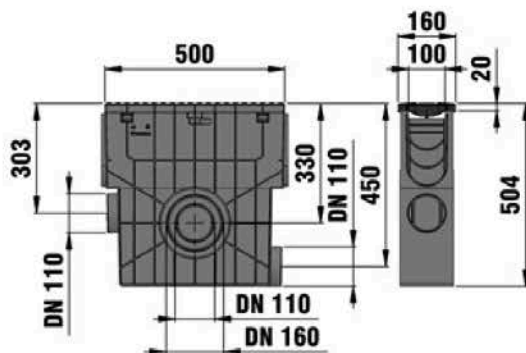
## SPORTFIX®

SPORTFIXCLEAN® Trash Box

- **Application** Installed at the start or end of channel runs for outlet connection or maintenance.
- **Covers** Fibretec or Slotted Cover (to suit channels)
- **Features** Filter Basket w Geo-textile secondary filter to microplastics and synthetic grass blades.
- **Benefit** Captures and retains microplastics from entering stormwater.

UV and corrosion resistant

Made from recycled materials – sustainable and can be 100% recyclable after life.



- Aluminium Mud Bucket w Geotextile Filter Inlay Basket
- Filter Inlay basket is screwed/secured into Mud Bucket
- Mud Bucket is removable for cleaning/maintenance





# Thank you



# QUESTIONS

